

Installing your Carver Over-the-Tower Boat Cover

Thank you for purchasing a Carver Over-the-Tower Cover (OTC). We look forward to making you another happy Carver customer. Our OTC's for Tournament Ski Boats and Tournament Ski Boats w/ Wide or Pickle Fork Bows are designed to go over the entire boat including your ski tower and bolt-on swim platform. Our OTC's for V-Hull Runabouts/Modified V-Hull Boats and Deck Boats are designed to go over the entire boat including the ski tower and integrated swim platform.

Below you will find instructions on how to install your new cover. If you have any questions while installing your boat cover, feel free to call us and we can walk you through the process (888) 482-6837. When you call us here at Carver, you will get a live person, not a recording because our goal as the leading boat cover manufacturer in the US, is to impress you with our exceptional customer service.

It may be necessary to spin your wakeboard racks in and to fold and store your bimini top in order to install your new Carver Cover.

Step 1: Add any padding needed for the windshield, wakeboard racks or any sharp areas that could damage the boat cover.

Step 2: Place the bow end of the rolled cover (the end with the tag) on the bow of your boat and unroll towards the stern or back, positioning it down the center of your boat as you roll.

Step 3: Slip the front of the cover over the bow and pull the cover open to the sides and over the tower as you work towards the stern of the boat.

Step 4: Adjust cover fit by pulling cover tight to eliminate sagging areas. These areas may collect standing water or snow and shorten the life of your cover.

Step 5: Using the reinforced tie-down loops, secure the cover to your trailer with the included tie-down kit (see instructions on installing a Carver tie-down kit on next page).

To remove the boat cover, fold it to the center from each side and roll it from back to front. This will make it easier to repeat steps 1-5 when covering boat again. *(Important: Allow cover to dry thoroughly before folding into storage.)*



Warranty: The materials and workmanship are guaranteed to be free of defects at the time of manufacture. Warranty coverage commences on the original date of purchase. The warranty does not cover normal wear, weather soiling and stains from environmental pollution and/or standing water, cuts from sharp objects, neglect, accident or misuse. The boat cover must be properly installed, utilized and maintained. The length of the warranty is determined by the type of material ordered. Please visit www.carvercovers.com for detailed warranty information.



The Carver Over-the-Tower Cover is not recommended for travel.



Installing A Carver Tie-Down Kit

Tie-down kit is sold separately unless noted otherwise at time of cover purchase.

Based upon the size of your boat cover, it may not be necessary to use all of the tie down straps.

Step 1: Thread the buckle-end of the strap through the tie down loop from back to front. Pull through approximately 12 inches and tie-off with a simple overhand knot so that the strap is secure.

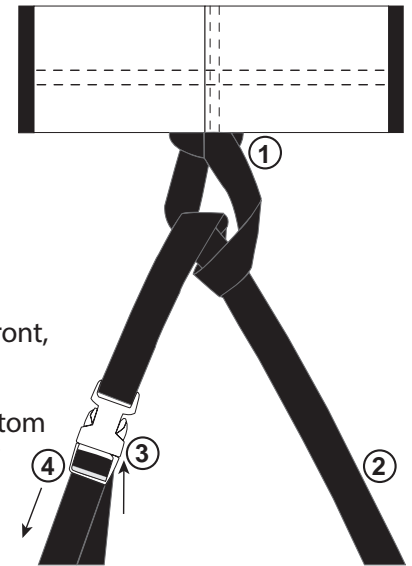
Step 2: Guide the opposite end of the strap around the trailer from back to front.

Step 3: Thread the strap through the top slot in the quick release buckle from back to front, pulling the end of the strap toward you.

Step 4: Continue threading the strap over the center bar of the buckle and into the bottom slot of the buckle. The strap is now fully adjustable by pulling down on the loose end of webbing. Install all the straps on the cover before tightening.

Step 5: Be sure the cover is centered on the boat, then tighten all straps securely so that the cover is taut.

Step 6: Trim the straps. Leave approximately 12" of webbing for adjustability and trim off any excess using a pair of scissors. Lightly singe the cut edge of the webbing using a cigarette lighter to fuse the yarns and prevent the webbing from unraveling. **DO NOT SET ON FIRE AND BE SURE TO EXTINGUISH ANY FLAMES.** To remove the boat cover, simply disconnect the quick release buckles by squeezing the sides. For quick and easy re-installation of the cover, leave the straps attached to the tie-down loops. After first use, check straps for tautness. If they require adjustment, untie knot and refer to step 1.



How to Prolong the Life of your Boat Cover

- Avoid letting water or snow stand on the boat cover — use support poles, straps, or bows.
- Always tie boat cover down securely.
- Take the precaution of padding the windshield, the wakeboard racks and any sharp areas before installing the cover.
- Clean the boat cover regularly to remove salt, pollen, and environmental pollutants that could support the growth of mildew. Brush off any loose dirt or soil, then spray the cover with a solution of mild, non-detergent soap (such as Lux, Dreft, Ivory, or Woolite) and cool/warm water. A soft brush may be used on heavily soiled areas. Rinse thoroughly. If cleaning diminishes the water repellency of the cover, we recommend treating with 303 High Tech Fabric Guard™ Water Repellent.
- Allow the boat cover to dry thoroughly before folding for storage.

No matter how carefully maintained, every boat is a target for a case of mildew. Mildew is a form of fungus present everywhere in the world. It takes dark, damp conditions to encourage their growth. Those conditions are found on a boat.

An essential boat-keeping chore should be regular cleaning of the interior, especially prior to boat cover installation. Any form of dirt (food crumbs, suntan lotion, pollen, etc.) can become a foothold for mildew. Utilize boat cover accessories such as vents, which are invaluable in improving air circulation and allowing moisture from condensation to escape.

Mildew cannot survive in light and heat, so take wet gear out of your boat and spread it in the sun before stowing. Expose all sides to the sunlight and turn items like life jackets inside-out for full effect. Allow your boat to dry in the sun before installing your cover.

Silica gel and activated alumina are porous granules that absorb up to half their weight in moisture from the atmosphere and can be purchased inexpensively at hardware stores. Use a double thickness of nylon stocking as a container, and hang suspended in the boat, under the cover. These products can be reused after drying for about an hour in a 300 degree vented oven. Most remedies rely on sodium hypochlorite (household bleach) to remove mildew. A good, strong, all-around solution is ½ cup household bleach per gallon of water. Do not use liquid detergents in combination with bleaches. Scrub the affected surfaces with a soft brush, using rubber gloves and eye protection. Rinse thoroughly.

For cleaning our boat covers and bimini top canvas, we highly recommend 303 Fabric & Vinyl Cleaner which is safe and effective. Be aware that repeated cleanings can diminish the water repellency of certain marine canvas. To restore water repellency to factory-new levels, we highly recommend 303 Fabric Guard. For more information, please visit our website, www.carvercovers.com or www.goldeagle.com/brands/303-products/.

Remember that anything used to kill or remove mildew will ash or wear away over time, so be prepared for repeated treatments as part of your maintenance routine.